

AVK SUPA FLANGE ADAPTOR, PN 16

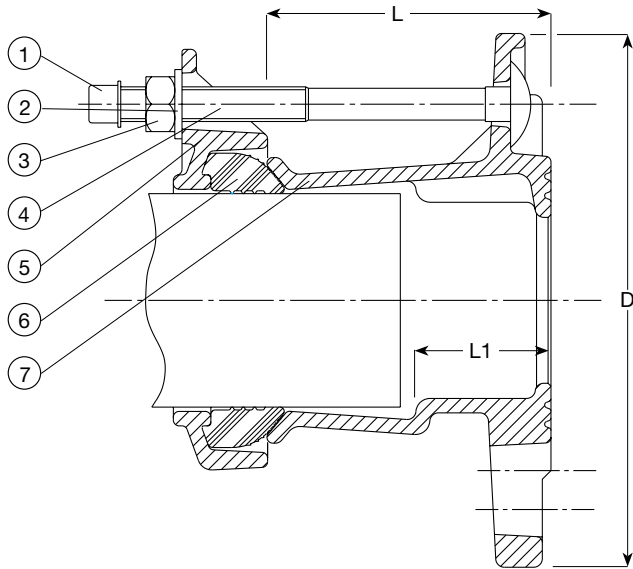
603
001

Universal flange adaptor, for water and sewage to max. 70° C, designed according to DIN/EN, Standard flange drilling to EN1092-2 (ISO 7005-2)
Hydraulic test according to EN 1074-1 and 2 / EN 12266.
Approved according to WRAS.

Universal flange adaptor for cast iron, ductile iron, steel, uPVC and asbestos cement pipes.
Flange and gland ring of ductile iron GJS-400-12 (GGG-40) with epoxy coating according to DIN 30677-2 - internally and externally. Sealing of EPDM rubber, with moulded ribs absorbing minor imperfections in the pipe. Bolts of PFTE coated stainless steel A2 and nuts of PFTE coated stainless steel A4. Washers of zinc plated hardened steel.
Max. $\pm 4^\circ$ deflection.



For further details see section "Technical Information".
The designs, materials, and specifications shown are subject to change without notice due to the continuous development of our product programme.



Flange DN	Drilling
40/50 - 80	ISO 7005-2, ANSI B16 CL 125, BS 10 Table A, D and E
80/100 - 125/150	ISO 7005-2, ANSI B16 CL 125, BS 10 Table A, D, E, F and H
150 - 200	ISO 7005-2, ANSI B16 CL 125 and BS 10 Table E
250	ISO 7005-2 and ANSI B16 CL 125
300	ISO 7005-2, ANSI B16 CL 125 and BS 10 Table E
350	ISO 7005-2 and BS 10 Table A
400	ISO 7005-2 and ANSI B16 CL 125

Component list

1. End cap
2. Washer
3. Nut
4. Bolt
5. Gland ring
6. Rubber seal
7. Flange

Reference nos. and dimensions

AVK ref. nos.	DN/DN mm	D mm	L mm	L1 mm	PC2 mm	Theoretical weight kg
603-063-0006400	40-50	165	99	47	46-63	3,8
603-074-0006400	50-50	165	99	47	57-74	3,9
603-074-0016400	50-65	185	99	47	57-74	4,1
603-085-0006400	50-65	185	99	47	68-85	4,2
603-106-0006400	80-80	200	100	47	84-106	5,0
603-106-0016400	80-100	229	100	47	84-106	5,0
603-119-0006400	100-100	229	100	47	99-119	5,6
603-133-0006400	100-125	229	101	47	109-133	5,8
603-133-0016400	100-125	254	101	47	109-133	6,5
603-157-0006400	125-150	285	116	53	132-157	8,3
603-183-0006400	150-150	285	109	52	157-183	8,3
603-201-0006400	150-150	343	112	52	176-201	11
603-215-0006400	200-200	343	117	53	193-215	12
603-242-0006400	200-200	406	117	53	218-242	13
603-268-0006400	250-250	406	119	58	242-268	17
603-292-0006400	250-250	406	119	58	266-292	18
603-306-0006400	250-250	406	119	58	280-306	19
603-327-0006400	300-300	483	120	61	301-327	23
603-350-0006400	300-300	483	120	61	324-350	24
603-378-0006400	350-350	533	120	61	352-378	26
603-396-0006400	350-350	533	161	62	372-396	29
603-410-0006400	350-350	533	161	62	384-410	30
603-436-0006400	400-400	597	165	67	410-436	35
603-462-0006400	400-400	597	165	67	436-462	37