

AMERICAN AVK RESILIENT SEATED GATE VALVE
250 PSI, Tested to AWWA C509 (NRS)
Mechanical Joint End - Valve Sizes 2" - 16"

25/0X
MJxMJ

Use:

For water and neutral liquids to maximum 160°F.

Tests:

Hydraulic test to AWWA C509:

Shell Test: 500 PSI

Seat Test: 250 PSI

Operating Torque Test

Optional Materials:

- | | |
|-----------------------|---|
| Stem | Option a): For UL, FM, ULC Low zinc bronze ASTM B763 |
| Anti Friction Washers | Polyamide |
| Bonnet Bolts | Option a): For UL, FM, ULC ASTM A164 zinc coated steel sealed with hot melt |
| | Option b): Stainless Steel - 316 sealed with hot melt |
| Gland Bolts | Option a): For UL, FM, ULC ASTM A164 zinc coated steel Hexagon bolt |
| | Option b): Stainless Steel - 316 Hexagon bolt |

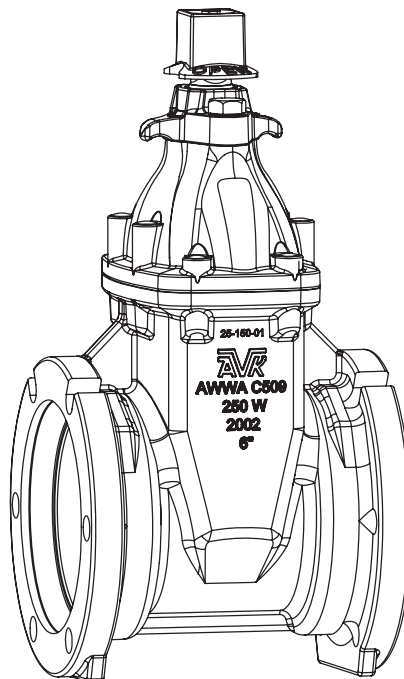
Standard Materials:

- | | |
|---|--|
| Body, Bonnet, Gland Flange Coating | Cast iron ASTM A126 class B Ductile iron ASTM A536 Electrostatically applied fusion- bonded epoxy-resin Meets or exceeds AWWA C550 |
| Wrench Nut | Ductile iron ASTM A536 - painted black for open left, red for open right. |
| Stem | Standard: Stainless Steel, ASTM A582 |
| Wedge | Ductile iron ASTM A536 encapsulated with EPDM-rubber compound |
| Wedge Nut | Bronze |
| Bonnet Bolts | Stainless Steel - 304 sealed with hot melt |
| Gland Bolts Hexagon bolt | Stainless Steel - 304 |
| Bonnet Gasket Wiper Ring, O-Ring Stem Seals, O-Ring Gland Seal | ASTM D2000 Buna "N" nitrile rubber |

Approvals:



- *UL/ULC Listed,
- *FM Approved
- NSF-61 (audited by UL)
- * Approved at 200 PSI working pressure



American AVK Company
an ISO 9001-2000 registered company

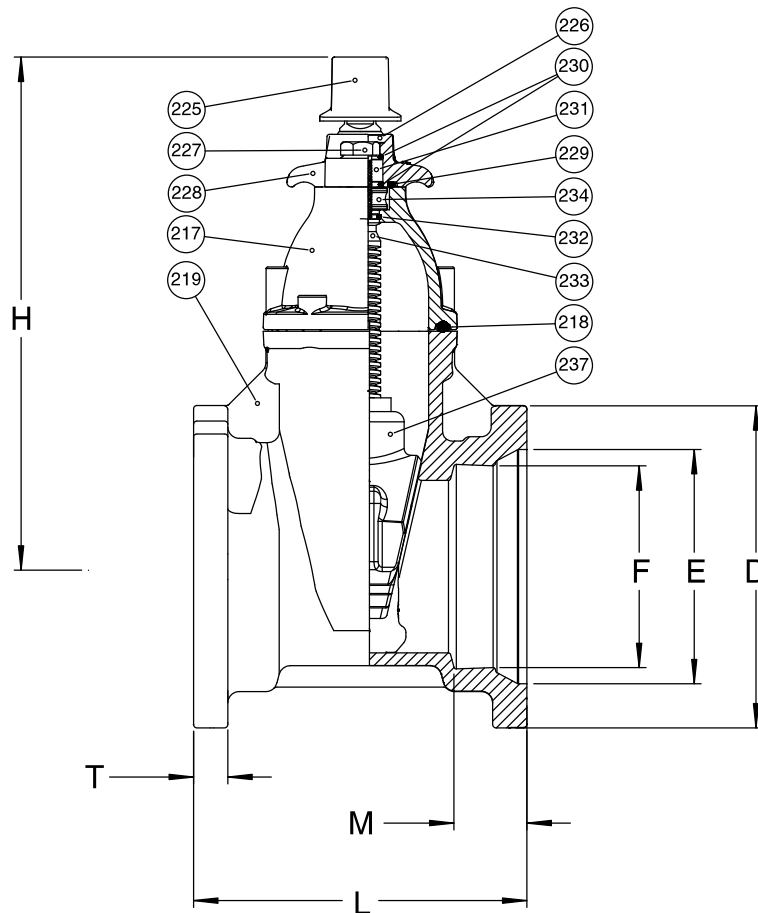
DS S250X MJMJ
Subject to change without notice. (rev. 02/06)

AMERICAN AVK RESILIENT SEATED GATE VALVE
250 PSI, Tested to AWWA C509 (NRS)
Mechanical Joint End - Valve Sizes 2" - 16"

25/0X
MJxMJ

Component List:

- | | | |
|--------------------|------------------------------|-----------------------------|
| 217. Bonnet | 227. Gland Flange Bolt | 232. Lower Stem Seal O-Ring |
| 218. Bonnet Gasket | 228. Gland Flange | 233. NRS Stem |
| 219. Body | 229. Gland O-Ring | 234. Thrust Collar |
| 225. Wrench Nut | 230. Upper Stem Seal O-Rings | 237. Wedge |
| 226. Wiper Ring | 231. Stem Seal Bushing | |



| Ref No. | Size | D | E | F | H | L | M | T | Turns to Open | Wt. Lbs. |
|-----------|------|--------|--------|--------|--------|--------|-------|-------|---------------|----------|
| 25-050-0X | 2" | 6.25" | 3.50" | 2.61" | 10.56" | 8.00" | 2.50" | 0.75" | 11 | 29 |
| 25-080-0X | 3" | 7.69" | 4.96" | 4.07" | 12.09" | 8.50" | 2.50" | 0.95" | 12 | 43 |
| 25-100-0X | 4" | 9.12" | 6.02" | 4.90" | 13.50" | 10.00" | 2.50" | 1.00" | 14 | 62 |
| 25-150-0X | 6" | 11.12" | 8.12" | 7.00" | 17.50" | 11.50" | 2.50" | 1.18" | 21 | 121 |
| 25-200-0X | 8" | 13.37" | 10.27" | 9.15" | 21.50" | 11.50" | 2.50" | 1.24" | 26 | 173 |
| 25-250-0X | 10" | 15.69" | 12.34" | 11.20" | 24.75" | 13.00" | 2.50" | 1.14" | 32 | 240 |
| 25-300-0X | 12" | 17.88" | 14.44" | 13.29" | 27.63" | 14.00" | 2.50" | 1.22" | 38 | 398 |
| 25-350-0X | 14" | 20.31" | 16.61" | 15.50" | 35.75" | 17.90" | 3.50" | 1.31" | 51 | 794 |
| 25-400-0X | 16" | 22.56" | 18.64" | 17.54" | 34.74" | 17.90" | 3.50" | 1.33" | 51 | 799 |

